

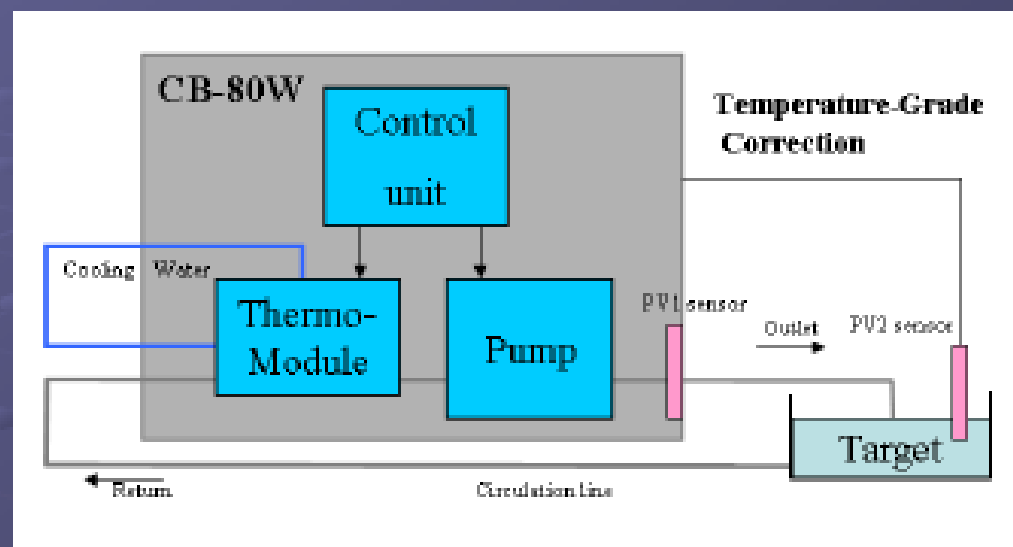
# 0.01C Accuracy Temp. Control Unit CB-80W



## Application



Cooling/Heating element:  
Our Thermo-Module  
(Peltier)



|                       |  |                   |
|-----------------------|--|-------------------|
| Model                 | CB-80W   |                   |
| Size                  | 400 <sup>W</sup> *550 <sup>D</sup> *730 <sup>H</sup> |                   |
| Weight                | Approx. 79kg   |                   |
| Circulation Liquid    | DI water (or water)                                  |                   |
| Pump                  | Max. 8.0/9.6L/min<br>(50/60Hz)                       |                   |
| Set temperature range | 19-28C   |                   |
| Performance           | Cooling capacity                                     | Approx. 400W @20C |
|                       | Accuracy   | 0.01C             |
| Power supply          | Voltage  | AC200V            |
|                       | Frequency  | 50/60Hz           |
|                       | Current  | 10A Max.          |

**Stability: Within 0.01C at target point**

**PV2 Control: Target temperature control**

